





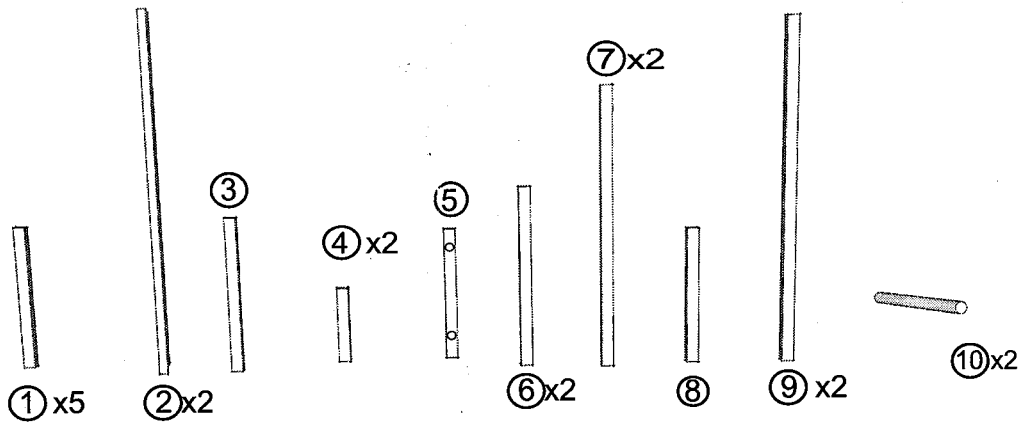
ASSEMBLE INTRODUCTION

A  3.5*50 12PCS

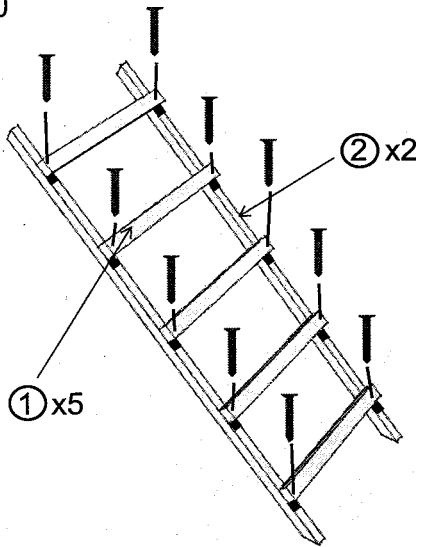
B  3.5*40 14PCS

C  3.5*30 2 PCS

 Dx2

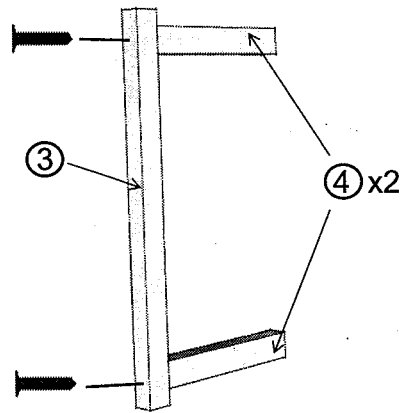


Bx10

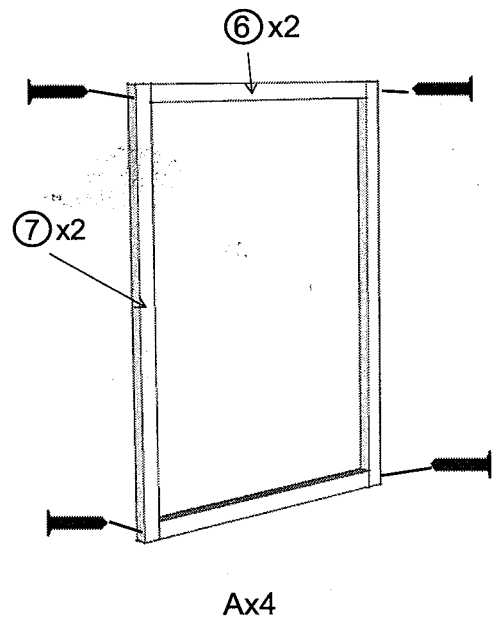
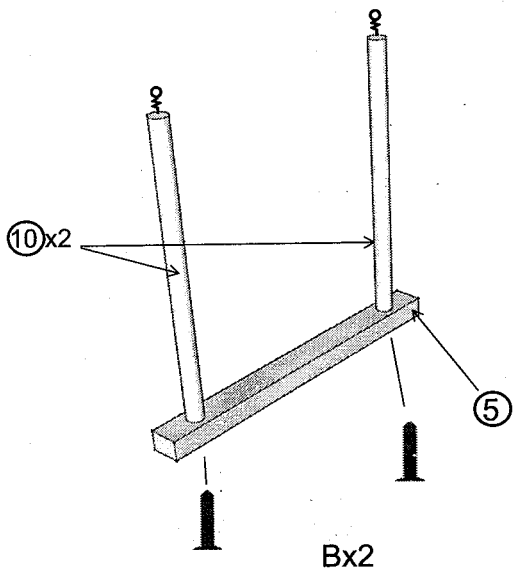


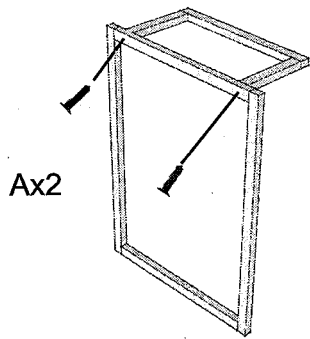
step1

Ax2

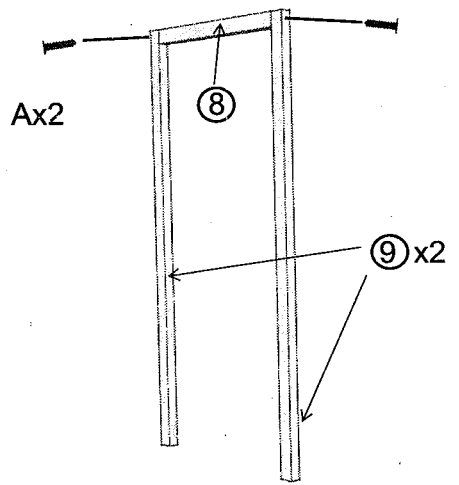


step2

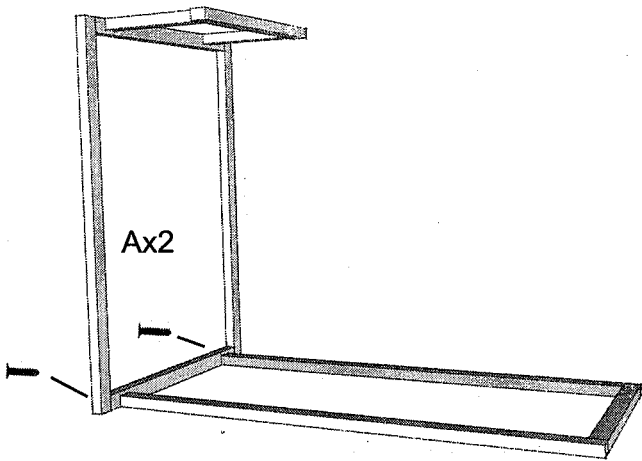




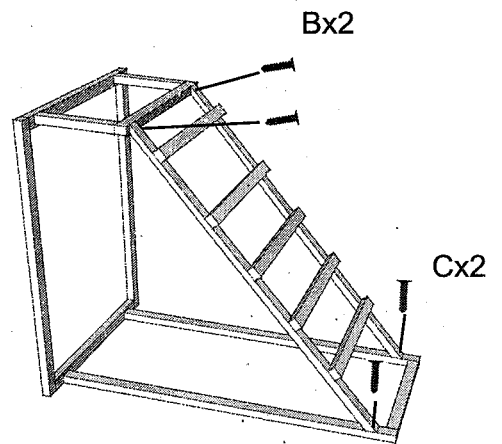
step5



step6



step7



step8

